



Bob's Machine

Quality Creates Its Own Demand

Race
•
Fish
•
PlayTM



- **Hydraulic Jack Plates**
- **Big Foot Nose Cones**
- **Foot Throttles**
- **Water Pick-Ups and More!**



BobsMachine.com • 813.247.7040

CUSTOM FINISHES! ACTION JAC™ PLATES

CUSTOM FINISHES - IF YOU CAN THINK IT, BOB'S CAN DO IT!

CUSTOM COLORS AND HYDROGRAPHICS NOW AVAILABLE. MOST ANY COLOR AVAILABLE. POWER POLE AND TALON COLOR MATCHES AVAILABLE. CALL TODAY TO DISCUSS YOUR CUSTOM COLOR NEEDS



COLOR SERIES JACK PLATES - POWDERCOAT & HYDROGRAPHICS

Our new color series jack plates - Available in durable Powdercoated solid colors or with exciting Hydrographics patterns and textures.

Choose the Jac™ Plate that's right for you, then, add a custom powdercoated color or an exciting Hydrographic texture/pattern to really make your boat special! Choose from a wide variety of Powdercoat colors and any hydrographic styles including Carbon Fiber, Camo, American Flag, Skulls and more!

When purchasing a custom jack plate, add both the jack plate of choice, as well as the custom color item to your shopping cart.



THE POSSIBILITIES WITH HYDROGRAPHIC ARE PRACTICALLY UNLIMITED! CALL TODAY...



All custom Powdercoating and Hydrographics are done in-house! Left to Right: Dust-free Powdercoat spray booth. Large Powdercoat Oven hardens the Powder for a long-lasting finish. Large Hydrographics tank allows full graphics coverage in one pass.

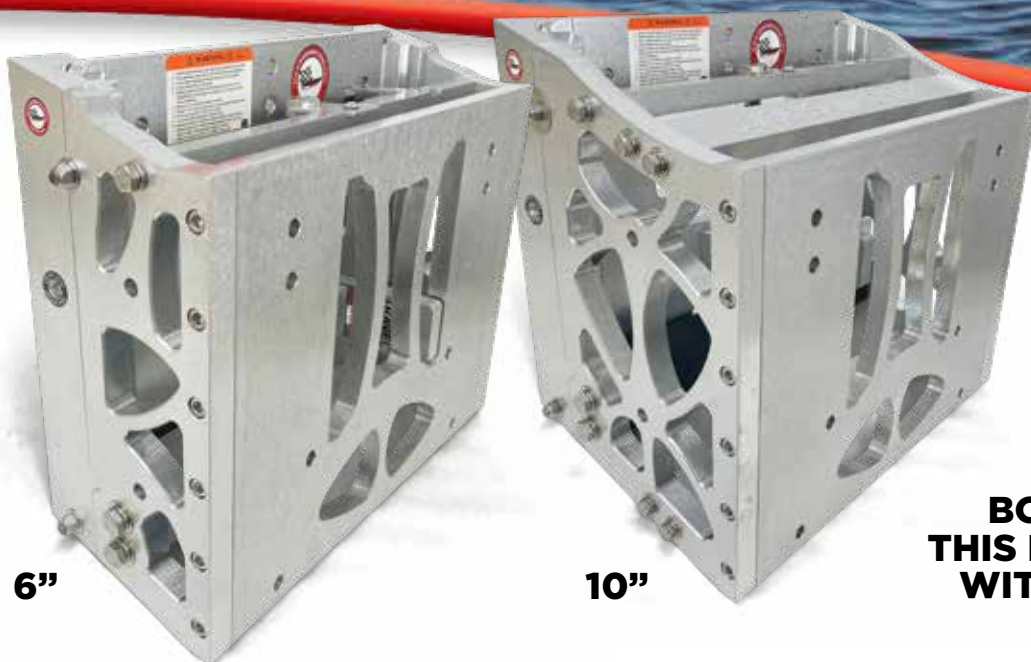


**SCOTT MARTIN,
FLW CUP CHAMP**



RACING SERIES JAC™ PLATE

Bob's Machine has been the leader in outboard jack plate technology since 1978. Bob's is proud to launch the first ever race boat specific HYDRAULIC jack plate to the market.



BOB'S HAS BUILT THIS RACE JACK PLATE WITH THESE GOALS:

- Reduced flex = Better hole shot, consistent prop angle
- Reduced lateral side shifting = Better handling characteristics
- Easy setback changes = Does not require unbolting from transom to change setback
- Designed to withstand abusive racing conditions and impacts associated with offshore racing
- Innovative machining techniques for reduced weight, & lattice style strength
- Thicker slide plates and components for reduced material fatigue & long life
- Pre-drilled for shallow water anchors
Requires Bob's Race Jac Side Spacer
- Offered in all Bob's series: Action, Standard & Versa, giving total choice to the boater
- Standard Silver color, optional anodized blue, red, and black colors available
- Limited lifetime structure warranty.
- Patent pending
- More offset panels coming soon

Item #	Description	Weigh lbs/kilos	Item #	Description	Weigh lbs/kilos
100-115000	6" Standard Race Jac	68.5/31	100-115002	10" Standard Race Jac	79.5/36
100-116000	6" Action Race Jac	74.5/34	100-116002	10" Action Race Jac	85.5/39
100-117000	6" Versa Race Jac	69/31	100-117002	10" Versa Race Jac	80.5/36.5

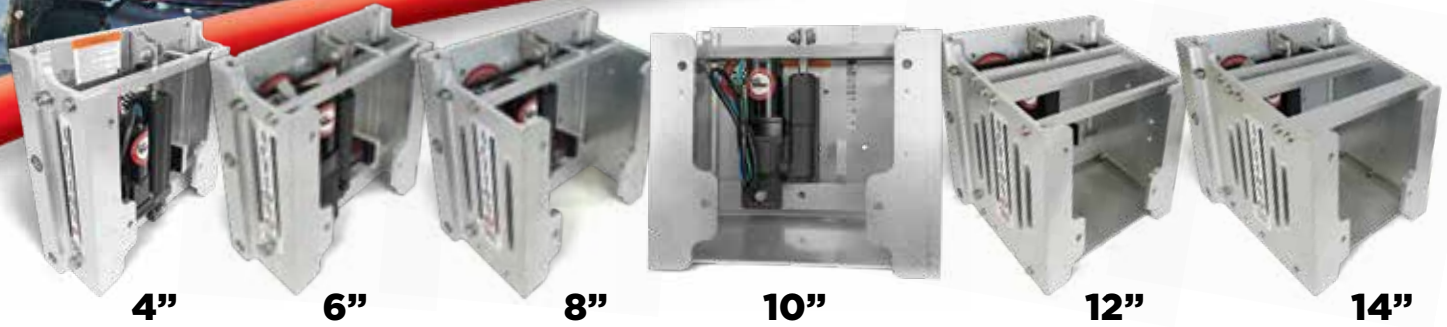


- AVAILABLE IN:**
- **STANDARD (REMOTE MOUNT PUMP WITH HOSES)**
 - **VERSA (MANUAL)**
 - **ACTION (PUMP INSIDE THE PLATE)**

813.247.7040



ACTION SERIES JAC™ PLATES



Item #	Model	Plate lbs. /kilos	Max HP/Weight (lbs)	Setback (inches /cm)
100-104101	4"	46/21	300/625	4/10
100-106010	6"	49/22	300/625	6/15
100-108001	8"	53/24	300/625	8/20
100-111000	10"	58/26	300/625	10/25
100-112112	12"	64/29	300/625	12/30
100-114001	14"	79/36	300/625	14/35

- Internal pump mounted inside plate for easier rigging
- One piece jac plate - No C-Channels to bolt on to increase setback
- Large powerful motor that can lift heavy outboards under full power in 6 seconds
- Limited lifetime warranty against structural defects
- Can be converted to have pump inside the boat if the owner desires to change style of hydraulic pump
- Predrilled for side mount shallow water anchors, holes are behind side stickers.
- Provides 7.5" (19 cm) of lift
- Wiring is plug and play with waterproof Deutch® connectors
- US & International Patents Pending
- Automotive grease fittings
- Adjustable tension rods



**JAC PLATE INCLUDES
WIRING HARNESS
AND CONTROL
SWITCH**

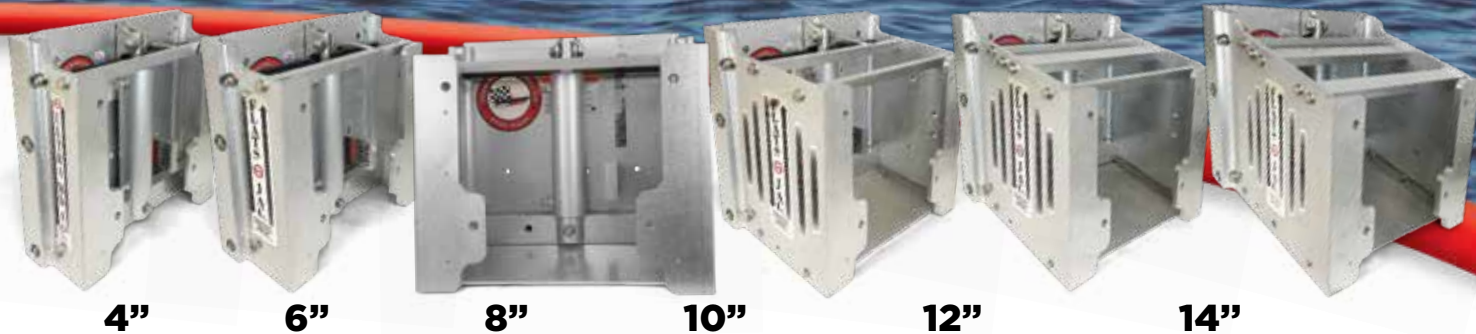


**ACTION JAC PLATES FEATURE A
5 YEAR WARRANTY ON THE PUMP,
LIMITED LIFETIME WARRANTY
ON THE STRUCTURE**

**STANDARD JAC PLATES FEATURE A
5 YEAR WARRANTY ON THE PUMP,
LIMITED LIFETIME WARRANTY
ON THE STRUCTURE**



STANDARD JAC™ PLATES



4"

6"

8"

10"

12"

14"

- Jac plates come with: jac plate, pump, wiring harness, 7' hoses, control switch, and oil
- Remote mount pump that connect to jack plate with hoses
- Hydraulic jac plate dimensions: Transom side mounting dimensions: width: 16 3/4" (42.5 cm) height 13 3/4" (34.9 cm)
- Motor side mounting width: 18 1/4" (46.35 cm)
- Mounting height 13 3/4" (34.9cm). Motor side OAW is 18 1/4'
- All jac plates provide 7.5" (19cm) of lift
- Limited lifetime warranty
- Predrilled for side mount shallow water anchors, holes are behind side stickers.

- Less weight on transom, pump stays dry in internal location
- Automotive grease fittings
- Adjustable tension rods

Item #	Model	Plate lbs./kilos	Max HP/Weight (lbs)	Setback (inches /cm)
100-104100	4" Standard	38/17	300/625	4/10
100-106000	6" Standard	40/18	300/625	6/15
100-108000	8" Standard	45/20	300/625	8/20
100-110000	10" Standard	49/22	300/625	10/25
100-112000	12" Standard	57/25	300/625	12/30
100-114000	14" Standard	72/32	300/625	14/33

PERFECT FOR SALT WATER APPLICATIONS - REMOTE PUMP OFFERS ADDITIONAL PROTECTION FROM SALT.



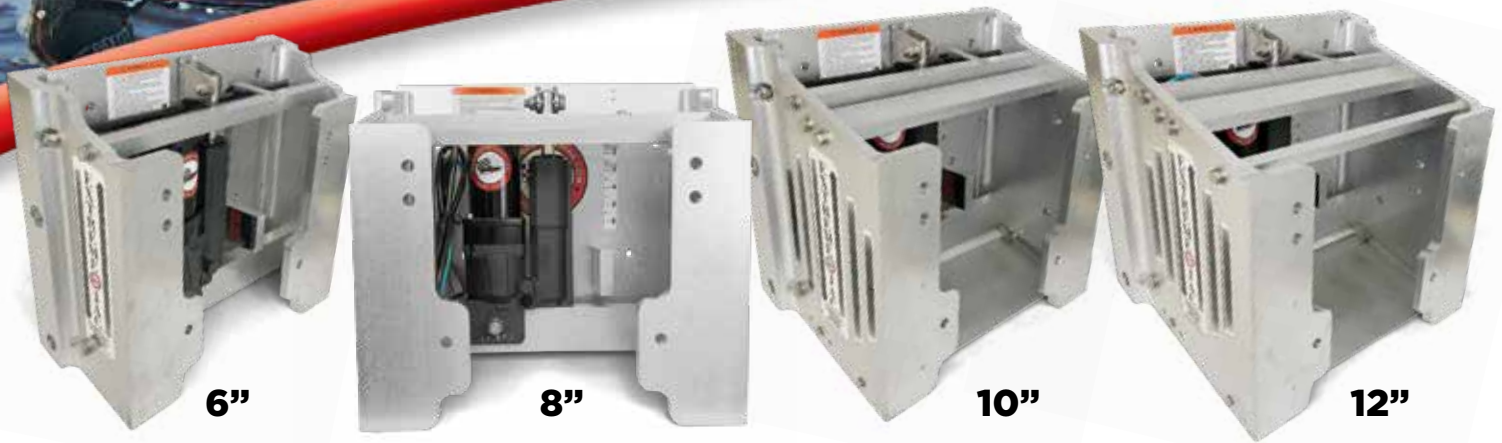
HYDRAULIC PUMP ASSEMBLY INCLUDED

Complete with solenoids, wiring harness, wall mounting plate, and two 90 degree fittings. Pump has 5 year warranty. Optional Floor Mount Bracket and Optional Pole-Mounting Bracket available. #120-100000



813.247.7040

EXTREME GEN 3 ACTION JAC™ PLATES



EXTREME GEN 3 ACTION JAC PLATES

Same as Gen 3 Standard, but with the all internal Action Pump

Predrilled for side mount shallow water anchors, holes are behind side stickers.

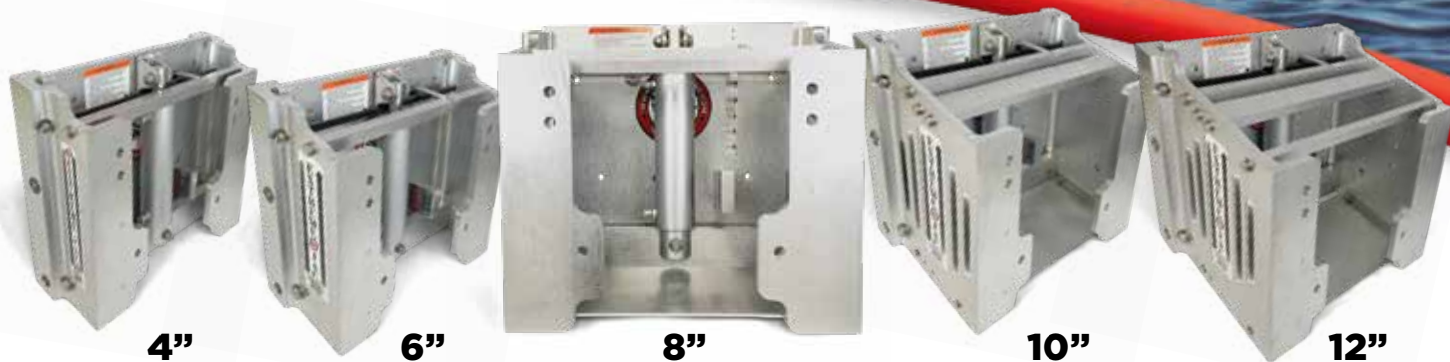
Item #	Model	Plate lbs./kilos	Max HP/ Weight	Setback (inches/cm)	Item #	Model	Plate lbs./kilos	Max HP/ Weight	Setback (inches/cm)
100-606005	6"	63/29	550/1200	6/15	100-610005	10"	74/34	550/1200	10/25
100-608005	8"	68/31	550/1200	8/20	100-612005	12"	82/37	550/1200	12/30.5

**ACTION JAC PLATES FEATURE A 5 YEAR WARRANTY ON THE PUMP,
LIMITED LIFETIME WARRANTY ON THE STRUCTURE**

**STANDARD JAC PLATES FEATURE A 5 YEAR WARRANTY ON THE PUMP,
LIMITED LIFETIME WARRANTY ON THE STRUCTURE**



EXTREME GEN 3 STANDARD JAC™ PLATES



EXTREME GEN 3 STANDARD JAC PLATES

Gen 3 is wider for the Mercury® Verado® outboard bracket, and is rated to 550HP
 Pre-drilled for side mount shallow water anchors, holes are behind side stickers.

Item #	Model	Plate lbs./kilos	Max HP	Setback (inches/cm)	Item #	Model	Plate lbs./kilos	Max HP	Setback (inches/cm)
100-604002	4"	51/23	550	4 5/8/ 11.7	100-610002	10"	65/29.5	550	10/25
100-606002	6"	54/24.5	550	6/15	100-612002	12"	74/33	550	12/30.5
100-608002	8"	61/28	550	8/20					

ULTRA EXTREME JAC PLATE

700HP jack plate

- 4" Setback Standard Series pump
- Both 7 marine bolt pattern and standard BIA pattern

Item # 100-606004



WATCH THE VIDEO!

Snap the QR Code, search YouTube for "7 Marine 627hp, Barker Boatworks"

Or go direct: www.YouTube.com/watch?v=paXKKw4b5VQ



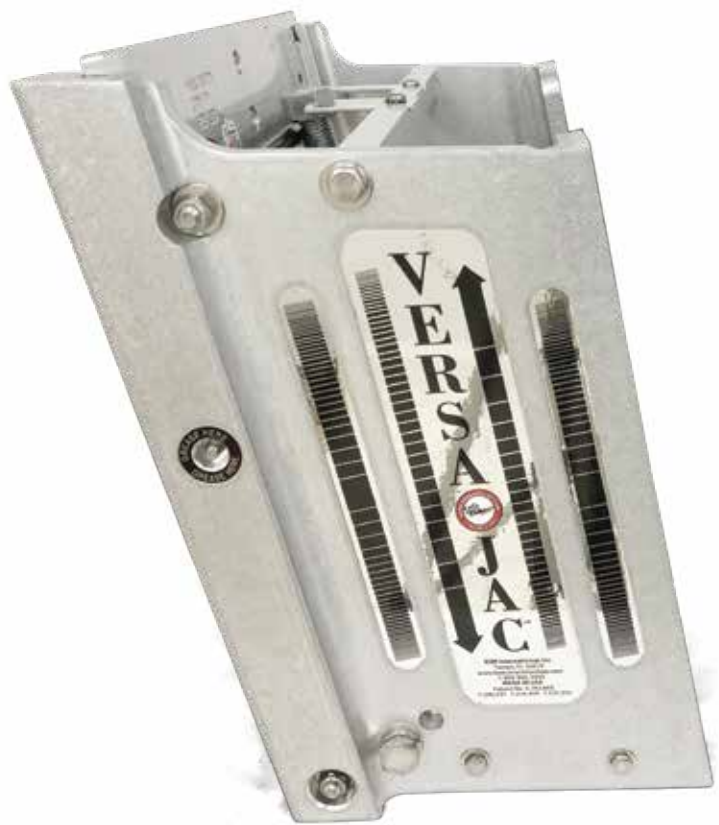
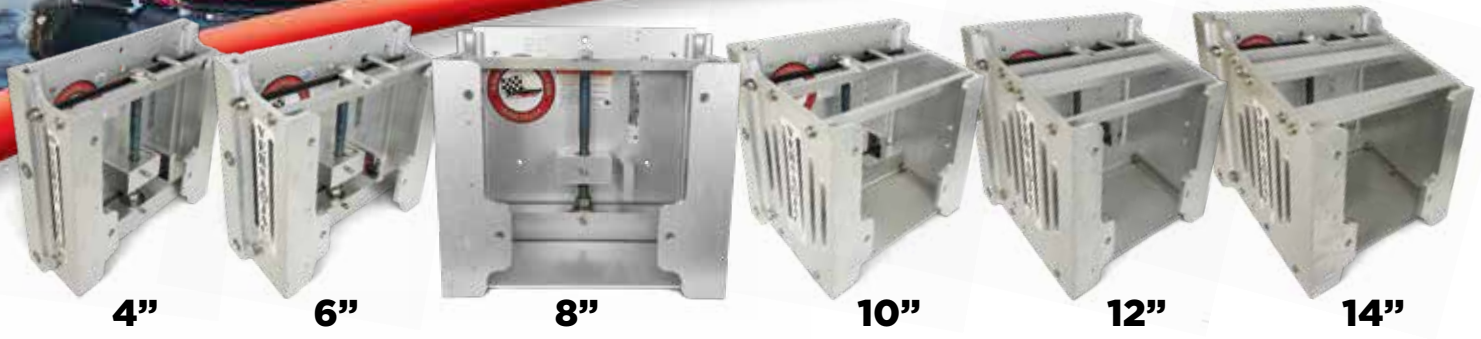
813.247.7040



**ALL JAC™ PLATES
NOW FEATURE:**

- AUTOMOTIVE GREASE FITTINGS
- ADJUSTABLE TENSION RODS

JAC™ VERSA PLATES



VERSA JAC™

- Manually operated Jac plate
- Easily upgrades to full hydraulic operation if desired
- Simple to remove manual screw assembly and swap it out for a hydraulic cylinder
- Patented Versa Jac™ has the same look as Bob's popular line of hydraulic jacs
- Rated for engines up to 300 hp, 625 lbs max.
- Manually operated jac plate easily adjusts for optimum results while on the water
- Includes limited lifetime warranty
- Versa jac plate dimensions: Transom side mounting dimensions: Width: 16 3/4" (42.5 cm), Height 13 3/4" (34.9 cm). Motor side OAW is 18 1/4"
- Motor side mounting width: 18 1/4" (46.35 cm)
- Predrilled for side mount shallow water anchors, holes are behind side stickers.
- Provides 7.5" (19cm) of lift
- Automotive grease fittings
- Adjustable tension rods

Item #	Model	Plate lbs./kilos	Max HP	Setback (inches/cm)
100-504100	4" Versa	40/18	300	4/10
100-506000	6" Versa	41/18	300	6/15
100-508000	8" Versa	45/20	300	8/20
100-510000	10" Versa	49/22	300	10/25
100-512000	12" Versa	56/25	300	12/30
100-514000	14" Versa	71/32	300	14/35

**LOOK FOR
YOUR FAVORITE
BOB'S MACHINE
PRODUCTS AT YOUR
LOCAL MARINE
RETAILER.**



**ASK FOR BOB'S BY
NAME TO ENSURE
YOU GET BOB'S
QUALITY!**



www.BobsMachine.com

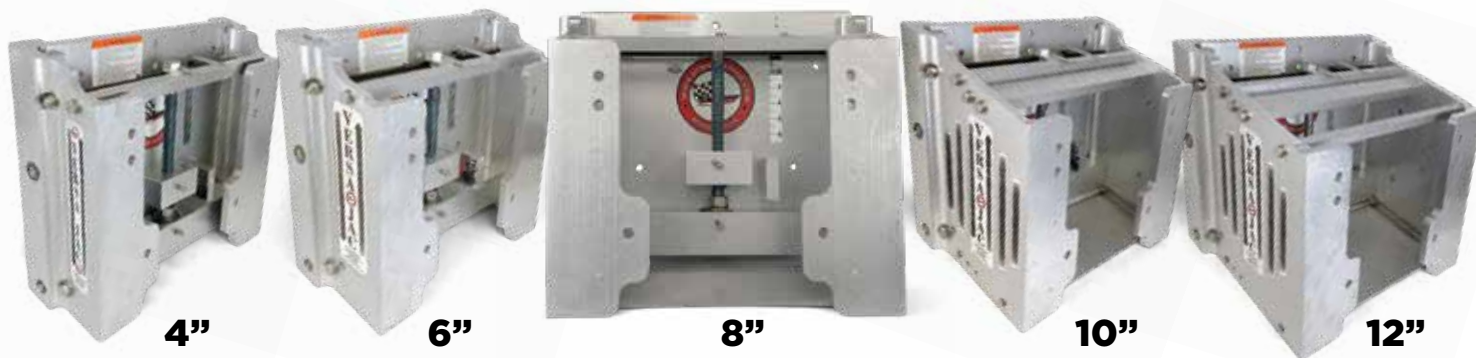
EXTREME VERSA JAC™ PLATES



EXTREME GEN 3 VERSA

The standard Versa Jac™ can be upgraded with an upgrade kit to either Standard series jack plates, or to Action series jack plates. Upgrades on the Extreme Versa convert them to the normal Extremes which is only 'standard' style pump (inside the boat with hoses).

- Predrilled for side mount shallow water anchors, holes are behind side stickers.



Item #	Size	Plate (lbs/kilos)	Max HP/ Weight (lbs)	Setback (inches/cm)
100-604003	4" Extreme Versa	54/24.5	550	4 5/8/ 11.7
100-606003	6" Extreme Versa	57/26	550	6/15
100-608003	8" Extreme Versa	64/29	550	8/20
100-610003	10" Extreme Versa	73/33	550	10/25
100-612003	12" Extreme Versa	76/35	550	12/30.5

VERSA JAC™ UPGRADE KIT

For Classic Versa 4-6": 100-500000 (shown)

For Classic Versa 8-14": 100-500100

For Action Versa 6-12": 100-500101

Pre 2020 Action 6"+ retrofit to new style action pump kit: 100-500009

Pre 2020 Extreme Action 6"+ retrofit to new style action pump kit: 100-500010

Pre 2020 Mini Action 6"+ retrofit to new style action pump kit: 100-500011

For 8" and up Jac plates only: #100-510000

Upgrade kit for mini Versa Jac: #100-5xxxxx

Includes everything you need to upgrade your Versa jac to hydraulic operation.

+CUSTOM MADE HOSES TO ANY LENGTH!



**VISIT OUR WEBSITE FOR
VERSA UPGRADE KITS,
AVAILABLE IN STANDARD
OR ACTION STYLE KITS**



813.247.7040

DOUBLE AND TRIPLE JACS



**CALL FOR TECHNICAL ADVICE
ON DUAL, TRIPLE & QUAD
MOTOR INSTALLATIONS!**



Bob's Machine Shop is proud to present the Double & Triple Jac, the first vertical life jack plate for twin or triple outboard engines. Rated for dual or triple 550hp engines, providing user with higher performance, and increased fuel economy, as well as the ability to go in shallow waters.

- One piece design, no longer having to worry about keeping engines in 'sync'
- Raises twin outboards 7.5" above the factory mounting point in 10 seconds
- Featuring one high speed pump control dual cylinders
- Includes one control switch and LED gauge
- Powder Coated color to suit customer needs
- Limited lifetime warrantee
- Multiple US & Intl patents pending
- Automotive grease fittings
- Adjustable tension rods



KICK-BACK JAC™ PLATE



KICK BACK JAC PLATE AKA "STUMP JUMPER"

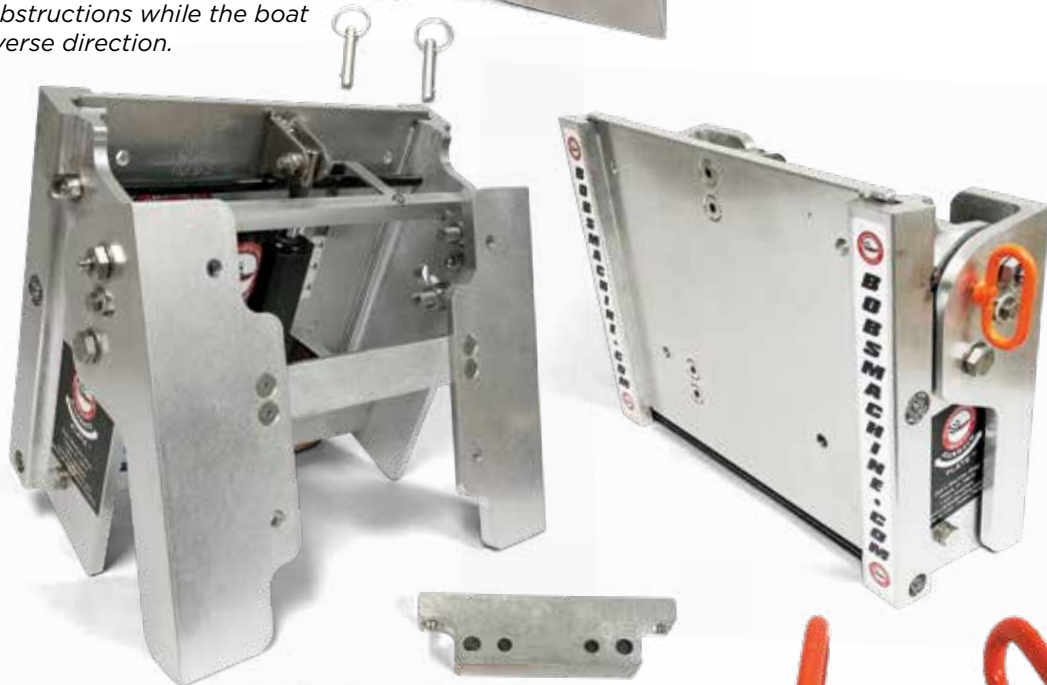
- 28 lbs total weight
 - Width - 17.5", Height - 6", Offset - 5.5"
 - 45 degree tilt up (kick up)
 - Delrin rollers and bearings for smooth operation;
No need for chains or spring like competition
 - Motor tether attachment point for safety
 - Locking pins to prevent plate from kicking out
in reverse or trailering
 - Greaseable pivot points - automotive Zerk fittings
 - Patent pending
 - Rated up to 115 HP motors - BIA bolt pattern
 - Optional clamp on style kit available.
- #100-105000

WARNING: This unit is rated for outboard motors up to a maximum of 115 H.P. Do not encounter obstructions at speeds over 5 M.P.H and only in the forward direction. It is not designed or intended to encounter obstructions while the boat is being operated in the reverse direction.



HYDRAULIC KICK BACK JAC

- 6" hydraulic lift,
and 1.5" structure lift
for total of 7.5" max lift
 - 48 lbs
 - Locking pins for reverse
 - Grease able pivot points
and slide plate area
 - No spring or chains
 - Tensioning rod
 - 30 degree of tilt
 - Patent pending
 - Rated to 115 HP
- # 100-105100



PIN HOLDER

- Pins not included - Uses pins that come
with Kick Back plate
 - Works with either style Kick Back plate
 - Bolts onto Kick Back plate to hold pins
so you don't lose them
- # 100-105002



OPTIONAL CLAMP-ON MOTOR ADAPTER PLATE

Add adapter plate for clamp on motors.
#100-105001



813.247.7040

MINI JAC™ PLATES

MINI HYDRAULIC JAC™ PLATES

STANDARD MINI PLATE

Designed for motors up to 50 HP that have the standard BIA bolt pattern. 7.5" (19cm) of hydraulic lift, pump mounts inside boat, limited lifetime warranty. 28 pounds (12 kilos). 14 7/8" (37cm) OAL. 17 3/4" (45cm) OAW. 6" (15cm) set back. Standard mini jac for clamp on style motors available, #100-812000



STANDARD

NARROW MINI PLATE

Designed for motors up to 50 HP that have transom mounting clamps. 7.5" (19cm) of hydraulic lift, pump mounts inside boat, limited lifetime warranty. 25 pounds (11 kilos). 14 3/4" (37cm) OAL. 13 1/4" (33cm) OAW. 6" (15cm) set back. #100-810000



NARROW

NARROW MINI SHORT PLATE 4" STROKE

For small transoms such as Gheenoe or other squareback canoes. #100-820000



NARROW SHORT

MINI ACTION SERIES JACK PLATE

40 pounds (18 kilos).

Full size for BIA bolt pattern Mini Action 6" #100-801000
Narrow Mini Action for clamp on motors 6" #100-811000



ACTION JAC PLATES FEATURE A 5 YEAR WARRANTY ON THE PUMP, LIMITED LIFETIME WARRANTY ON THE STRUCTURE

STANDARD JAC PLATES FEATURE A 5 YEAR WARRANTY ON THE PUMP, LIMITED LIFETIME WARRANTY ON THE STRUCTURE

ALL JAC™ PLATES NOW FEATURE:
•AUTOMOTIVE GREASE FITTINGS
•ADJUSTABLE TENSION RODS

MINI VERSA JAC™ PLATES

- Manually operated jack plate for smaller boats or micro skiffs
- Easily upgrades to full hydraulic operation if desired
- Rated up to 50
- 40 HP motors
- Easily upgrades to full hydraulic operation
- Adjustable on the water
- Standard mini versa for clamp-on style motors available
- Limited lifetime warranty



STANDARD

#100-870000
28 LBS/12Kilos

NARROW

#100-860000
28 LBS/12 Kilos

ULTRA

#100-850000
18 LBS/ 8 Kilos

Visit our website for Versa upgrade kits, available in either Standard or Action style kits

VERSA MINI UPGRADE KITS:

For Standard mini full size: 100-500001
For Standard mini narrow: 100-500002
For Standard Mini micro: 100-500003



JAC™ COMBOS

NEW TILT & JACK COMBO! COMBO TILT AND JACK IN ONE UNIT.

- 1 hydraulic pump to control both cylinders via integrated solenoid valve.
 - 40lbs/18kgs
 - Rated 50HP
 - 6 inches hydraulic travel + 1.5 inch lift built into structure
 - 75 Degree tilt
 - Delrin slide bushings
 - Full BIA Bolt pattern
 - Complete kit, hoses, oil, switch etc. Can be customized packages for OEM customers.
 - Made in USA.
- #100-106016



TILT & JACK VERSA

Same features as the Tilt & Jack Combo, except:

- Manual Jack function
 - Hydraulic tilt
 - 35lbs/16kgs
- #100-106018

ACTION TILT AND TRIM

An 'All In One unit', just connect power and switch wires. Relay assembly, wiring harness, and switch all included.

- Overall mounting dimensions: 11.5" wide, 10" long
 - Clamp on motors only
 - 35HP max
 - Weighs 20 lbs/9.07kg
- 100-701100



ADDITIONAL JAC™ PLATES

KICKER JAC™

- Maximum engine rating to 40 hp 4 stroke motors
- Provides low speed power for cruisers
- Auxillary power for sailboats
- Trolling power for fishermen
- Patented design has 16" (40.6cm) of lift
- Custom hose lengths are available
- Through the hull fittings available
- Bob's hydraulic jack plate motors are mounted inside the boat for long life and easy maintenance
- Optional wireless control kit available



- Kicker Jacs come with: kicker jac, pump, wiring harness, 10' hoses, control switch, and oil
 - Includes limited lifetime warranty against structural defects
 - Weighs 48 pounds (21.7kg)
- #100-300000

MINI MANUAL JAC PLATE FOR MINI BOATS MANUAL JAC PLATE

- Mini Manual - Only 12 lbs. (5.4kg)
 - Variable Horizontal Offset - Plate can be set at three different horizontal dimensions. 4-1/4" (10.7cm) setback, 5" (12.7cm) setback, and 6-1/8" (15.5cm) setback, to achieve optimum performance and handling (40 HP 2 stroke max).
 - Clamp-on only motors without power tilt/trim
 - 2.5" built in, plus 1.5" adjustable for total of 4" lift
 - Mounting hardware is not included.
- 100-200500: 11.5" Width
100-200600: 15.25" Width
100-200100: 18" Width

OPTIONS

MINI JACK PLATE BOLT KIT

Includes 3/8" X 3" bolts, flat washers, lock washers, and lock nuts.
#100-200001

STACKABLE SPACERS

Set of 6". #100-704000



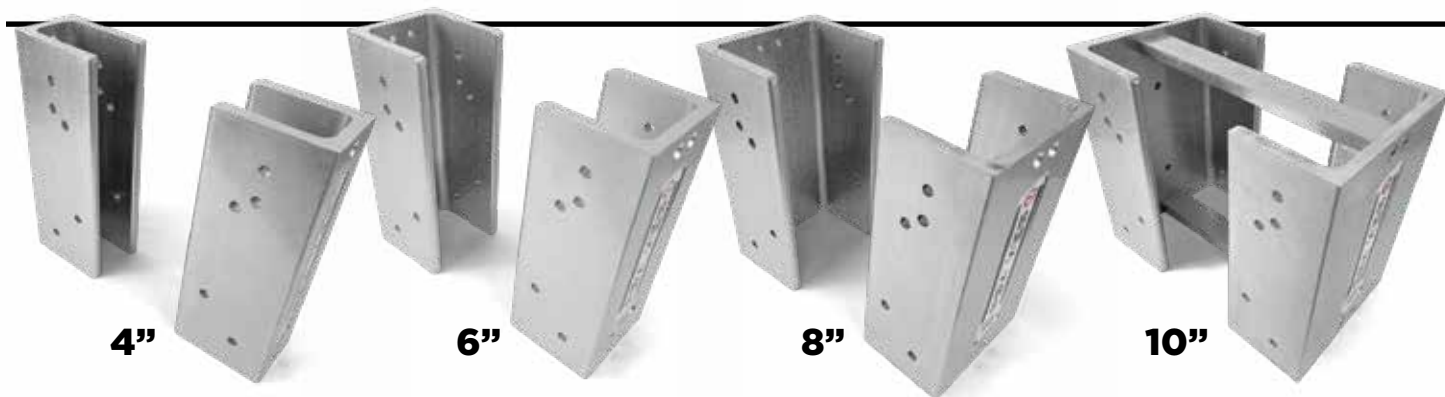
SETBACK BRACKETS



SET BACK BRACKETS

- All rated to 550 hp without cross bars
- Optional rigid crossmembers available
- Have 1.5" of lift built into structure
- 2 mounting hole positions, to offer up to 2.5" of lift
- Mercury® outboards require optional cross bars or might void engine warranty

Item #	Size
100-404000	4"
100-406000	6"
100-408000	8"
100-410000	10"



NO LIFT SETBACK BRACKETS

Great for boaters that need setback without lift, or wish to use these on their jackplate to get extra setback. Bolts between transom and jack plate, not for use on motor side. Add Bob's 2" Bolt kit to attach to jack plate.

Item #	Size
100-404002	4"
100-406003	6"
100-408003	8"
100-410001	10" - includes cross bars

5" VERTICAL EXTENSION BRACKETS

FEATURES:

- Lift engine 5" with only 0.5" extra setback
- Perfect for boater using a XL shaft motor on a boat that doesn't require the extra 5"
- Works on all motors except 425 Yamaha
- Up to 450HP
- # 100-400001



OPTIONAL CROSS BARS FOR SETBACK BRACKETS

- 120-235004 - Optional cross bars for 4" Setback
- 120-235006 - Optional cross bars for 6" Setback
- 120-235008 - Optional cross bars for 8" Setback



JAC PLATE COMPONENTS

REPLACEMENT JACK PLATE CYLINDERS

1" shaft for all 8" Standard series jack plates and all Extreme series jack plates. # 120-230501

3/4" shaft for all 4-6" standard jacks. # 120-230000

Call for cylinders on all other applications.



CYLINDER FITTING

Stainless steel fitting for jack plate cylinder to hydraulic hose
630-104000



REPLACEMENT EHA PUMPS

120-120016B 4" Action series replacement pump

#120-120016 6" and larger offset Action series replacement pump

#120-120019B Tilt and Trim Action series replacement pump



TRANSDUCER MOUNTS FOR JACK PLATES

Stainless steel, powder coated high gloss black to mount most popular transducers to jack plate. Don't worry about drilling into boat, now you can just bolt onto your jack plate and mount your transducer!

#110-500000 Fits all Bobs 8, 10, 12, & 14" standard/ action/extreme/versa jack plates

#110-500001 Fits Bobs 4 & 6" jack plates. Older years will have to drill sides to fit, template included.



JAC PLATE COMPONENTS



BACKING PLATES

(UPPER & LOWER SETS)

Can be customized for OEM manufacturers
#110-200000

Upper backing plate: 2.5" X 15.5" X 3/8"

Lower backing plate: 2.5" X 13" X 3/8"

- Manufactured out of aircraft grade aluminum

DOUBLE BOLT TOP BACKING PLATE

F350 bolt pattern

#110-200501

With lower plate

#110-200500

LIFT PLATE LED GAUGES

SOLID STATE ONE OF A KIND TECHNOLOGY

- Unique solid-state transducer
- Special photoelectric eye that precisely regulates the LED brightness
- Sensor reads every 1/4" rise and lights a corresponding LED
- 2-Year Warranty
- Available with white or black face and with or without polished stainless steel bezel
- Dual gauge kit available

Black Gauge for Standard/Extreme/
Standard mini #110-300000

Black Gauge for Action ... #110-301000

White Gauge for Standard/Extreme/
Standard mini #110-310000

White Gauge for Action #110-311000

Polished Stainless Steel Bezels are also available



RESERVOIR KIT

Kit includes hydraulic reservoir, reservoir cap, 2 brass filterscreens, reservoir mounting hardware, reservoir O-ring.

#120-120013

RESERVOIR KIT FOR OLDER PUMPS

For pumps with mounting bolt through bottom of the reservoir. Kit includes hydraulic reservoir, reservoir cap, 2 brass filter screens, reservoir mounting bolt, and reservoir O-ring.

#120-120014



REPLACEMENT RESERVOIR CAP

#120-120015



GAUGE EXTENSION CABLES

Extends LED height indicator gauge up to 14'

#110-330003



JAC PLATE COMPONENTS

SPLASH PANS

For 4" and 6" jac plates



- 4"#120-210400
- 6"#120-210600
- 6" Gen3 action splash pan.....#100-210601
- 8" Gen3 action splash pan.....#120-120804
- 10" with performance lip#120-211002
- 12" with performance lip.....#120-211201

TRANSOM HOLE PLUG

O-ring seal plug and machined nut, used to close the hole left from removed Thru-hull fittings
120-510001



HARDWARE

BOB'S THRU HULL FITTINGS

#120-510000

THRU HULL FITTINGS

with mounting hardware

#120-515000

TRANSOM WASHERS

#110-202100

BULK HEAD FITTINGS

#120-520000

4" BULK HEAD FITTINGS

#120-520001

BOLT KIT

(3.5" and 2.5") Includes flat washers, lock washers, bolts, and lock nuts

#110-100000

Other bolt lengths available.



STAINLESS STEEL FITTINGS

3-PIECE FITTINGS

Bob's Jack Plate Hose to JIC4. # 120-500000

CRIMP ON FITTING

Bob's Jack Plate Hose to JIC4. # 120-500001

90-DEGREE MALE TO FEMALE

JIC4 to JIC4 for people wanting to route hoses straight up out of Jack Plates, great on tight applications! # 600-551804

STAT-O-SEAL

Washer with O-ring impregnated into it. For use between Bob's hydraulic cylinder and cylinder fitting. # 120-231101



BRUSH KIT

#120-120005



JAC PLATE COMPONENTS

UPDATE OLDER PUMPS
TO THE NEW STYLE -
CHECK OUT THE VIDEO:



JAC™ PLATE SOLENOIDS

#120-110000

RETROFIT SOLENOID KIT

Without wiring harness: #120-150002

With wiring harness: #120-150003

ACTION SERIES RELAY

WIRING HARNESS #120-150011

With switch wire: #120-150010

Switch wire only: #120-150012



40-AMP BREAKER

for Action Jac™ wiring harness

#649-460040

RED BOOT for Breaker

#649-460041



HYDRAULIC PUMP ASSEMBLY

Complete with solenoids, wiring harness, wall mounting plate, and two 90 degree fittings. Pump has 5 year warranty. Optional Floor Mount Bracket and Optional Pole-Mounting Bracket available.

#120-100000

HYDRAULIC OIL

ISO 32 weight for all Standard Series Jack Plates
#120-301000



WIRING HARNESS

#120-150000

REPLACEMENT ANODES

for any Motor. #300-xxxxxx

Jack Plate Anode

#300-000000



REPLACEMENT BEARINGS

#120-200000

For Extremes and 14" jack plate: #120-200006



JAC PLATE GREASE CARTRIDGE

#120-302002

SEALANT

#920-920

STICKER KIT FOR JAC™ PLATES

Available for all models - See website for more info.

#820-6xxxxx



ALUMINUM PUMP MOUNTING PLATE

#120-123055



FLOOR MOUNT BRACKET

For hydraulic pump. #120-121000



POLE MOUNT BRACKET

For hydraulic pump (Bass Cat only)

#120-123000



813.247.7040

THE BIG D TROLLING MOTOR HANDLE



TROLLING MOTOR HANDLE

- Patent Pending Design with the cable molded into the handle so it will not break out.
 - Designed for big hands, comfort, and reliability
 - Stainless steel vinyl coated cable
 - Stainless steel cable clamp included
 - Works on most Minnkota™ and Motorguide trolling motors
- # 315-200000

**CHECK OUT THE VIDEOS AT:
THEBIGDHANDLE.COM**



BOB'S TROLLING MOTOR PROP NUT

- Fits all Motorguide and Minnkota trolling motors
- Requires no tools to remove trolling motor propeller
- Over 25% more mass than other units on the market which means quieter trolling!
- Center hole to access shaft in event of shear-pin failure
- Ultimate Coating that will not fade and superior corrosion resistance!



Standard Color: Ultimate Black
 Minnkota80+ lbs #312-000000
 Minnkota70- lbs #312-100000
 MotorguideAll #312-200000
 Lowrance Ghost....All..... #312-300000

Change the last number to order any of these colors:
 1 - Gloss Black, 2 - White, 3 - Red, 4 - Blue,
 5 - Green, 6 - Orange, 7 - Brushed Aluminum,
 8 - Carbon Fiber



Minnkota 70- Shown



QUICK SLIP

Quick-Slip™

QUICK SLIP CAM LEVER FOR TROLLING MOTORS AND RAM® MOUNTS

- Makes adjustments quick and easy with a flick of a lever
- More Pressure than the standard knob
- Holds even the largest GPS units tightly
- Make height adjustments much quicker and securely
- Simple 1-minute installation

Freshwater Pro: #160-200000
Freshwater Tour: #160-200001
Wireless Series: #160-200002
Gatormount/Great white: #160-200003

Motor Guide X3 & X5 # 160-200004
Motor Guide Xi5 # 160-200005

Minnkota Trolling motors
Maxxium/Fortrex 2003 and earlier: #160-300000
Maxxium/Fortrex 2004 and newer: #160-300001
TerraNova: #160-300002
Edge: #160-300004
PowerDrive: #160-300005
Ultrex: #160-300006
Ghost: #160-400000

Ram Mount
Big Ball: #160-100000
Medium Ball: #160-100001

Check out the videos on the Bob's Machine YouTube channel!

Youtube.com, search for 'Bob's Machine QuickSlip'



813.247.7040

21

DECKPLUGS AND DECK SAVERS



DECKPLUGS

Bob's Machine's new patent pending O-ring sealed pedestal seat plugs close the hole on your deck when your pedestal seat is not in use. Keep your compartments water tight to prevent mildew, and stop losing baits/weights/hooks down the holes. Also adds some bling to the deck of your boat!

- 1.77" #311-000001
- 0.75" #311-000002
- 2.38" #311-000003



Standard color is Brushed Aluminum. Order one of these colors by adding this code to the part number -
 B - Blue, BK - Black, C - Carbon, G - Green, O - Orange, R - Red, W - White

DECKSAVER



PROTECT YOUR DECK WITH DECKSAVER!

CNC'd Billet Aluminum, coated for long life. Simple one-screw installation. Available in Brushed Aluminum, Red, Blue, Green, Black, and White. #311-100000

Standard color is Brushed Aluminum. Order one of these colors by changing the last number of the part number -
 1 - White, 2 - Red, 3 - Orange, 4 - Green, 5 - Black, 6 - Blue



CONTROLS



NMEA CONNECTOR

- Garmin supported! More brands support coming soon
- Connect your Bob's Machine jack plate to your Multi-Function Display and view your jack plate height

- Simple plug and play technology into your NMEA backbone



Item # Description

110-400000	for boat that already has Bob's LED Gauge installed
110-400001	for boat that already has Bob's sending unit installed (No gauge)
110-400003	complete without gauge (only view on graph)
110-400004	complete with Black Gauge
110-400005	complete with Black Gauge & Stainless Steel Bezel
110-400006	complete with White Gauge
110-400007	complete with White Gauge & Stainless Steel Bezel

JAC™ PLATE ROCKER SWITCH

Includes switch, bezel and heat shrink spade connectors.
#305-900000



JAC™ PLATE ROCKER SWITCH REMOVAL TOOL

#305-900002



TRANSOM TRIM CONTROL

This Transom Trim Control provides a weatherproof tilt control system at the stern area of the boat to facilitate placing motor support position with one person. Switch can also be used for remote adjustment of hydraulic jack plates.

The switch housing is molded black plastic with raised white letters and may be mounted on any flat surface. Comes with 18" pigtail wire.
#305-500000



WIRELESS REMOTE CONTROLS

- Adjust the jac's height easily with a key fob from anywhere — on or off the boat
- Ideal during docking or trailering when there is limited access to dash-mounted switch
- Anglers with towers can conveniently operate jac plates with the key fob •Compatible with all BMS jac plates
- Works independently from dash-mounted switch
#305-700000



BOB'S STEERING WHEEL SWITCH

Trim or jackplate control at your fingertips with a column-mounted switch that looks great in any console. You can keep your hands on the wheel and concentrate on driving. Bolts to most systems, including mechanical and hydraulic. All hardware included. Single-switch Pro-Trim 1000 mounts at 3 or 9 o'clock stalk positions.

Dual#305-340000
Single#305-330000



MOUNTS & SPACERS

2 INCH SET BACK SPACERS

These spacers are made out of strong aluminum alloy and machined flat on both sides. Adding these spacers is the simplest way of getting that extra mph. These spacers go between the transom and the engine's mounting bracket. In some cases they can also be installed between the jac plate and engine. By applying the set back spacers to the transom, you are moving the center of gravity of the hull further back. By doing this you are rebalancing the boat which allows the hull to remain at its present attitude with less trim. Therefore, you have more power to push the boat forward rather than to hold the bow up. The kit comes complete with stainless steel bolts and nuts.



5/8" SPACERS
#401-058000

3/4" SPACERS
#401-075000

1" SPACERS
#401-100000
(Necessary for Yamaha 425 HP to be mounted to the Extreme jack plate)

2" SET BACK SPACERS WITH 4.5" BOLT KIT
#401-100000

FIXED MOTOR MOUNTS

Bob's Fixed Motor Mounts have the rigidity you need to assure precise steering at high speeds. They eliminate propeller fishtailing permitted by flexible mounts. Even so-called "high performance" pinned or hard rubber mounts aren't as rigid as you deserve for high-speed handling ease and safety, so don't settle for less than Fixed Motor Mounts. They're like trading in sloppy linkage and getting rack and pinion steering in return. Your boat will steer more reliably throughout its entire speed range in both the smoothest and the roughest water. The hull's more consistent relationship to the water enables you to run safely at higher speeds than possible with conventional "rubber band" mounts. Fix your steering now with Bob's Fixed Motor Mounts! Each set contains 2 upper and 2 lower mounts.

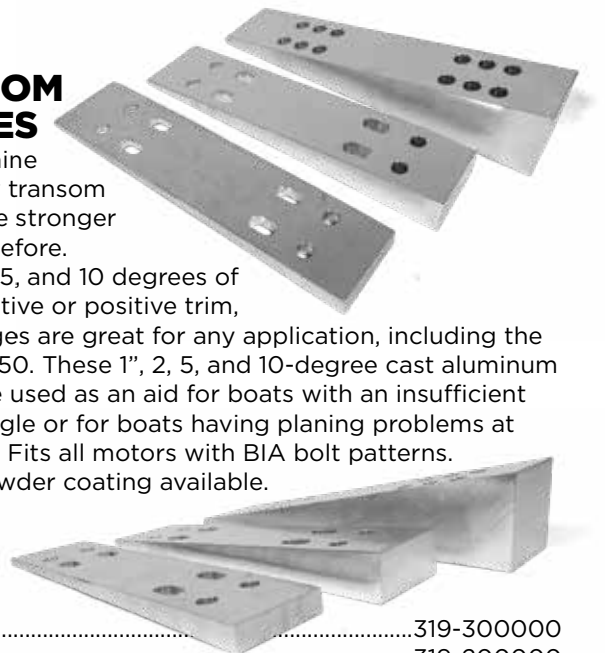


ALUMINUM MOUNTS

Mercury® V6.....	#404-100000
Mercury® 3 Liter	#404-000000
Mercury® Inline	#404-200000
Yamaha V4 and 2.6L V6.....	#404-360000
Yamaha 3.1L and 3.3L	#404-331000
Yamaha SHO 4.2L	#404-500000
2 stroke V6 Suzuki mounts	#404-363000
4 stroke V6 Suzuki mounts.....	#404-400000

BMS TRANSOM WEDGES

Bob's Machine Shop's new transom wedges, are stronger than ever before. Offering 2, 5, and 10 degrees of either negative or positive trim, these wedges are great for any application, including the Yamaha F350. These 1", 2, 5, and 10-degree cast aluminum wedges are used as an aid for boats with an insufficient transom angle or for boats having planing problems at low speed. Fits all motors with BIA bolt patterns. Custom powder coating available.



10 Degree	319-300000
5 Degree	319-200000
2 Degree	319-100001

NEW! WEDGE WASHERS

Use these Wedge Washers on outside of the motor, the nuts lie flat when using wedges.

<i>5 degree washers shown.</i>	
10 Degree	319-400102
5 Degree	319-400101
2 Degree	319-400100



BIG FOOT NOSE CONE KIT WITH LOW WATER PICK-UP

- **50% MORE COOLING CAPACITY**
- **HIGHER SPEED & PROPER WATER PRESSURE**
- **LOW WATER PICK-UP**
- **50% MORE VOLUME THAN ANY NOW ON THE MARKET**
- **NOSE CONE KIT CONTAINS ALL HARDWARE FOR COMPLETE INSTALLATION**
- **KIT COMES WITH COMPLETE ALMAG-35 TOP GRADE CASTING, EPOXY KIT, HOSE FITTINGS, 8" OF RUBBER HOSE, AND INSTALLATION INSTRUCTION.**

SHALLOW WATER ACCESS

Travel and fish waters that until now have been unreachable with outboard motors having standard (side water pick-up) gear cases.

PROVEN QUALITY

The same superior design as our world speed record-holding Big Foot, low water pick-up cones.

- Crescent-shape for superior performance and handling
- Five inlets create less chance of stoppage than anything now on the market.



HIGH WATER FLOW CAPACITY

Allows surface piercing props (choppers, cleaver-style) to be run at maximum height for top speed and all out performance, while maintaining proper cooling to engine.

FACTORY INSTALLATION AVAILABLE

Only manufacturer to offer complete factory installation, usually completed within 10 working days from delivery date. Call for details. Over 30,000 cones installed in the past 5 years!

Nose Cones Tested	Top Speed MPH maintaining 10 PSI	Maximum motor height obtained above transom while without prop slippage water pressure minimum	RPM Obtained
Bob's	74.8	Sky High	6250
Hydro Motive	72.5	3-1/2"	6150
Land & Sea	70.1	2-1/4"	5850
Mercury® Stock	69.7	2-1/2"	5900
Mercury® CLE (Racing)	68.5	No limit	6150

TEST BOAT AND EQUIPMENT USED

Boat: Nitro 190TF (19' bass boat)

Motor: Mercury® 150 XRI, 150 HP

Gearcase: 1:87:1 Ratio

Load: two 200-pound men; 28 gallons of fuel, rear livewell half-full

Prop: Quicksilver trophy, four blade, small hub, 13-3/8 x 25 inch pitch

Speed: Radar checked

Conditions: Test held in under four hours with conditions at the start virtually the same as at the end. Flat to 2 inch chop, no wind, 58 degrees air temp.

FRESH WATER FLUSHING KIT

- Designed specifically for all Bobs nose cone kits with low water pick-up.
 - Can only be used on BOBS low water pick ups.
 - Attaches to garden hose.
 - Will not scratch or mar (made of durable, soft urethane construction, not fiberglass).
 - One-person operation
- #202-100000



813.247.7040

25

BIG FOOT NOSE CONE KIT WITH LOW WATER PICK-UP

FACTORY INSTALLATION AVAILABLE!

**INCREASES -
SPEED • PERFORMANCE •
HANDLING • ECONOMY**

HIGH WATER FLOW CAPACITY

Allows surface piercing props (choppers, cleaver style) to be run at maximum height for top speed and all out performance, while maintaining proper cooling to engine.

PROVEN QUALITY

- The same superior design as our world speed record-holding Big Foot, low water pick-up cones.
- Crescent-shape for superior performance and handling.

SUPERIOR CASTING AND DESIGN QUALITY

- Only manufacturer to offer complete factory installation, with approximately 7-10 day turnaround. UPS pick-up and delivery at your door. Call for details.
- Over 15000 cones installed in the past 5 years.

50% MORE VOLUME!

Nose Cone Kit contains all hardware for complete installation. Pictured below are gear cases showing different type cones installed for a variety of applications. Please note: grass slippers are not available if you have a nose cone installed. Note: Most cones can be bought in kit form or professionally installed by Bob's Machine Shop.



BIG FOOT CONE

Performance boats, race boats, etc. Designed for highest possible engine setting and maximum overall performance. #201-101100

COMBO CONE

Flats boats, bass boats, etc. Pickups on top and bottom of bullet (for sandy areas) #201-301100

V-8 CONE

Dual hose application. Provides extra volume of water for larger engines. #201-102100

GRASS MASTER

Bass boats, flats boats, etc. Pickups are located on the side of gear case and top of bullet (for grassy areas). #201-401100



T.R.S.

(With solid cone installed) #200-000100

BRAVO

(With solid cone installed) #201-201100

THE SPORTSMAN'S EDITION

With water inlets located in five different locations (as shown) and a total of from 11 to 13 inlets - The most versatile and trouble-free low water pick-up nose cone available. #201-601100

BOB'S GRASS SLIPPER

Designed to deflect vegetation down the gear case, away from the prop and stock water pick ups. **FACTORY INSTALLED ONLY.** #200-000110



BIG FOOT NOSE CONE KIT WITH LOW WATER PICK-UP

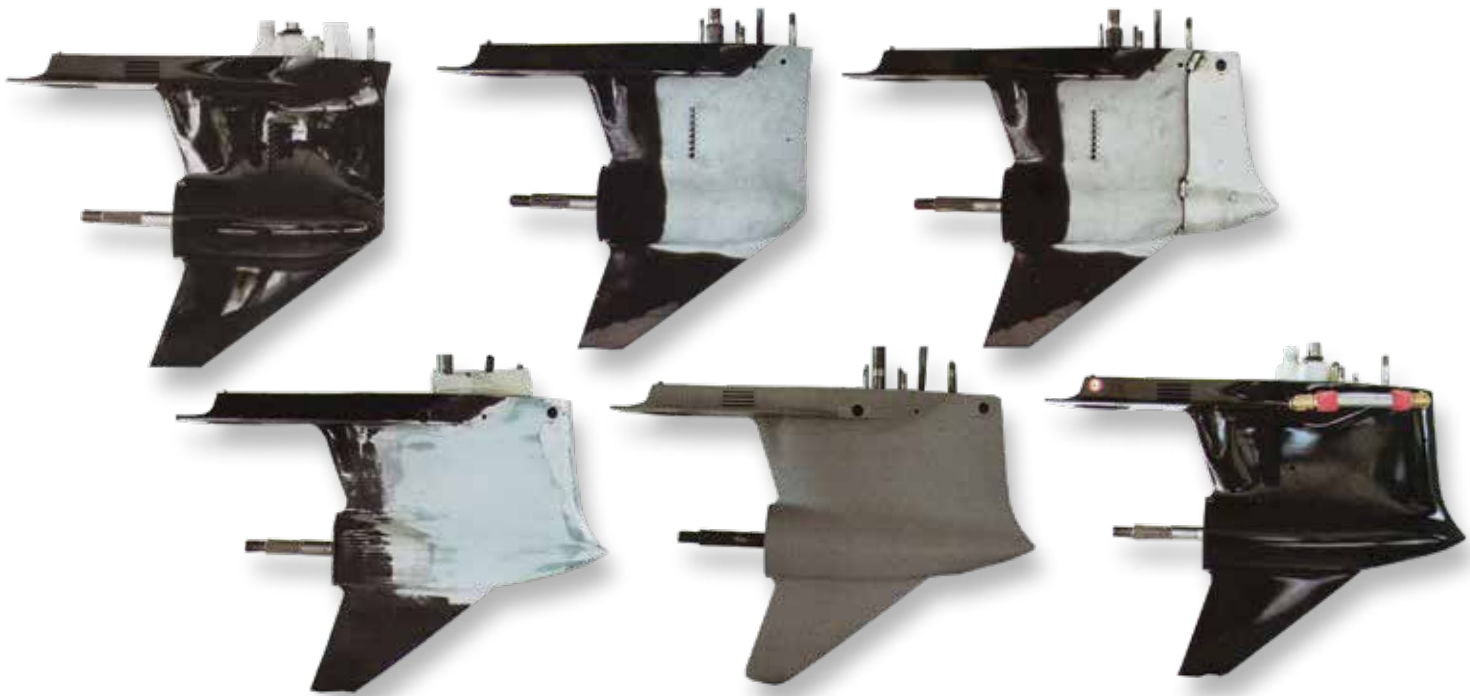
NOSE CONE INSTALLATION INFO

Shown in these pictures is an example of factory installation. You can send unit completely assembled (any kind; Merc, Yamaha, Johnson, Evinrude, Mariner, etc.) Gears do not have to be removed, unless preferred. Units are UPS shippable. We need units for approximately 7 to 10 working days upon receiving unit. Upon arrival all gear cases are marked and dated with customer's ID# to ensure proper identity.

1. We sandblast the gearcase.
2. We will center-line nose cone to prop shaft, weld nose cone in place while being held in a fixture to ensure proper alignment.

3. We blend the nose cone into the unit using fiberglass fillers and finish to the proper contour and shape using air files, D.A. Grinders, etc.
4. We prepare the case to be painted with an etching primer and then a sealer primer and then to a finish paint.
5. We reassemble the unit putting stainless steel hoses on to the completed job and ship to customer (approximately 7 to 10 working days to ship).

Warranty: 2 years against blistering and bubbling



EPOXY PUTTY

Two component liquid epoxy. Excellent glue for wood, fiberglass, styrofoam, concrete and metal surfaces. Dries tack free in 1 to 2 hours at 70°F, full cure 72 hours. Contains two 16 oz. (1 pint) cans. #202-200000



MISCELLANEOUS COMPONENTS

MARINE FOOT THROTTLE FOR OUTBOARD AND INBOARD ENGINE APPLICATIONS.

Fully CNC machined. Stronger, lighter, better looking. Available anodized either silver or black. Work with any motor.

Universal fully machined aluminum foot throttle.

Anodized Black.....#307-002100



Foot throttle replacement spring#307-900000



OPTIONAL FOOT THROTTLE SLIDE PLATE

Slide plate allows foot throttle to be moved back

and forward to match leg length of driver. For instance, if foot throttle is mounted permanently in the most forward position for a six foot driver, then someone 5'6" or 5'8" drives the boat, he or she can't comfortably reach the foot throttle without sitting on the edge of the seat, which is not only inconvenient, but also unsafe. Ceramic "Cerakote" available. #307-000000

BLOW OUT RING

Blow out happens when the ratio of air to water surrounding the prop gets so great that the prop is no longer biting the water, in fact the prop is now trying to drive itself through air (or a relative vacuum). When blow out occurs, the prop will lose its bite in the water possibly causing a loose steering feeling or a violent right turn. The speed at which blow out can occur will vary depending on boat design, lower unit design, and prop design/pitch. A blow out ring helps to prevent this.

Available for 2.0, 2.4, and 2.5 liter motors (not available for 3.0 liter). #407-000000



MISCELLANEOUS COMPONENTS



Offshore:
#416-200000

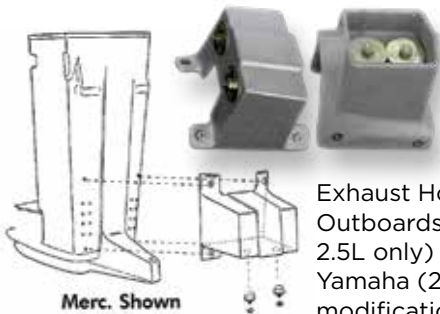


#416-100000

ADJUSTABLE-HEIGHT TRANSOM MOUNTED WATER PICK-UPS

(For outboards)

- Adjustable height moveable pick-up tube. Allows exact setting for maximum results • Square stainless steel pick-up for maximum volume and durability
- Two models to choose from:
(Left) Offshore model for straight transom and tunnel-type hulls
(Above) 90° model for boats which have a recessed pad or stepped-in pad, as on most bass boats, runabouts, ski boats, etc.



OUTBOARD EXHAUST HOUSING

Exhaust Housing designed for Outboards Mercury® (2.0L, 2.4L, 2.5L only) O.M.C. (V4-V6 only) Yamaha (2.6 liter) Without modification to the engine, this

simple, after-market add-on is designed to relieve back pressure on the engine and results in more efficient low-end throttle response, a better tuned engine and increased fuel economy. The unit comes complete with two removable plugs and four screws, so the casting can be installed on the back your motor within a matter of minutes. By removing two plugs, the unit will allow exhaust which normally travels through the propeller to escape above the water line, and consequently this results in your engine breathing and performing better. Replace the plugs in the unit and exhaust will travel through the prop again.

Mercury® exhaust housing #403-210000
OMC exhaust housing #403-220000
Yamaha exhaust housing #403-230000

SKEG REPLACEMENT

- Aluminum alloy
 - Pre-shaping makes skreg ready for heliarcing into place, thus eliminating delays of grinding and shaping
 - Field-proven design brings 75% time-saving installation
 - Broken skreg? Whether your skreg is chipped or entirely gone, now you have a choice! Use a skreg replacement, not a new lower unit
 - Installation available.
- #070-xxxxxx



MISCELLANEOUS COMPONENTS



MERCURY® V-6 VELOCITY STACKS

(2.0L, 2.4L, 2.5L only) Increase air flow and performance. The air straightening effect created by the Venturi reduces turbulence (fogging) and improves air flow by approximately 10 CFM. Not available for 3 liter Mercury®. #412-000000



ENGINE LOUVERS

Don't hold back on letting your engine perform at its best. Let your engine breathe at full throttle. Stock covers often restrict the air intake to the engine. With this kit installed your engine will have the breathing potential and looks of a factory race cover. Louvers are made of polished stainless steel with stainless steel rivets, and measure 3-1/4" x 9-3/4". (1 pair per kit including rivets). #415-000000



SMALL LOUVERS

Can be used for ventilation on boat from engine cowlings, compartments, live wells, etc.

- Set of 2 with mounting hardware
 - Stainless steel
 - 3.25" x 3.25"
- # 415-000001



LIFTING EYE

The Lifting Eye bolts onto flywheel with hardened bolts furnished. Lifts engine in a vertical position and allows one person to install motor. Johnson-Evinrude V-4 and V-6 1977 and newer:



- #317-000000
- Mercury® Lifting Eye - All (except Verado 200 hp and up)
- #405-000000

Mercury® Verado/ Yamaha SHO
Both a Lifting Eye and
a flywheel puller
#405-200000

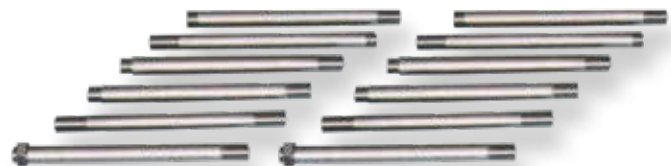


THE TUNER

(2.0L, 2.4L, 2.5L only) Constructed of a one-piece Almag casting and machined and drilled for application for the Mercury® V-6 engines, the tuner is designed to improve top end performance and allow your engine to breathe better, similar to what custom headers accomplish for an automobile engine. Not available for 3.0 Mercury®. #411-100000

YAMAHA TUNER

Fits all v76/carbureted/EFI/HPDI 3.1 and 3.3 liter Yamaha motors 1997 - present. #411-200000



TILT TUBES

- #309-xxxxxx 7/8" OD for two-cylinder Mercury®, Mariner, Nissan, Honda, Suzuki, OMC, and Chrysler with 7/8" OD.
- #309-xxxxxx For 3, 4, and 6 cylinder OMC
- #309-xxxxxx 1.035 OD for 3, 4, and 6 cylinder Mercury® and Mariner
- #309-xxxxxx 73-78 3 and 4 cylinder OMC
- #309-xxxxxx For V4 and V6 Yamaha and Suzuki
- #309-xxxxxx w/ welded nut

MERCURY® FLYWHEEL PULLER

Fits all V6 Mercury® motors except Verado 225 and up. #405-120000



MISCELLANEOUS COMPONENTS



STABILIZER PLATE

This new design of an already-proven product gives all the advantages of the broad tail stabilizer plate (quicker hole shot, keeps boat on plane at lower speeds, increases top speed on most boats, smooths out the ride, helps stop porpoising), plus the new design has these added features:

- Boat has more stern lift
- Much less torque in steering wheel
- Flat-bottom boats steer better (less sliding)
- Most importantly, boat steers easier at low speeds with less correction of steering wheel (stops boat from wandering at low speeds)



- Available for most engines 75 horse power and up
 - Custom colors available
- OMC/Pointed Cavitation plate..... #402-100000
 25HP and Lower #402-070000
 40HP and Up #402-060001
 For units between 25hp and 40 call for recommendations.

STATIC MOTOR PLATE

RSM International, inc., inc has developed a rigid mounting plate that will prevent damage or scratching to the finish of the back of your boat when mounting a clamp-on style kicker, auxiliary outboard motor, or transom mount electric trolling motor. This plate provides a stable, secure, and flat mounting area for your clamp-on style motor up to 25 hp or 150 lbs gasoline powered outboard motor and all electric motors. Designed with a 4-bolt mounting pattern that will keep the mounting holes above the water line and is manufactured out of 6061 t6 aluminum for use in any marine environment.

Comes with Bob's limited lifetime warranty.
 #100-900000Standard Static Motor Plate
 #100-913000Static mounting plate for BRP/Evinrude 15HP High Output



SHAFT EXTENSION KITS

Motor extension kits convert Mariner and Yamaha outboards to long or extra long shaft. Even though they cost a fraction of factory parts alone to convert standard motors to long shaft, extension kits are designed and manufactured of top quality materials to give lasting reliability to your outboard motor. Using compatible alloys in the housings, shafts, and studs, these kits are as corrosion resistant as the motor itself. All shaft and studs are of stainless steel and housings are cast of the same type of alloy as used in the motors.

New 4 Stroke Models Available.
 Please specify motor type, year, model, horsepower and serial number.
 #324-xxxxxxx



MISCELLANEOUS COMPONENTS



BOBS HI-PERFORMANCE SPARK PLUG WIRES

FOR MERCURY® V4 AND V6 AND OMC V4, V6, AND V8

CALL US FOR CUSTOM WIRE SETS!

All spark plug connectors are 100% hi-temp, tight seal silicone boots with stainless steel non-corrosive snap-on units. Coil or distributor cap connectors are also 100% hi-temp silicone. 3.0L Mercury®... #414-260001 #414-xxxxxx



BMS EMERGENCY BOARDING LADDER

- Oil impregnated bearing to reduce chatter and to reduce binding from metal on metal contact in salt water
- Stainless steel deployment pin
- Lightweight
- Rubberized steps for comfort and safety.
- Lifetime warranty
- Will attach directly to the side of BMS 8" -14" jack plate
- Custom powder coatings and Ceramic Cerakoting available on ladders.

Port side ladder: #450-000000
 Starboard side ladder: #450-100000
 Bracket require for 4 or 6" jack plates (can be used with 8+" also for a no drill installation)
 Starboard: #451-100000
 Port: #451-000000
 Bracket for use with no jack plate:
 Starboard: #451-000002
 Port: #451-000001
 Also requires #451-100000



THE ULTIMATE OIL SEPARATOR KIT FOR INBOARDS AND TOW VEHICLES!

Developed to eliminate oil from entering your intake by engine blow-by, which channels oil contaminated air into your intake, that reduces the octane of your fuel and causes detonation. Complete with AN fittings, Russel ProClassic hose, heat shrink, hose clamps, and Bob's Machine Catch Can.



Call for Part #s and options

TORQUE TAMER



Bob's Torque Tamer will straighten out the high speed steering pull that today's high-pitched propellers produce when running at high transom settings. The paddle-wheel flow produced by the submerged part of such a propeller when much of the top half is out of the water swings your motor

sideways (to starboard for right-hand drivers) harder the faster you go. If stock steering tabs have been reset in an attempt to compensate at high speeds - which they can't do - they will tend to swing the motor oppositely at lower speeds. Bob's Torque Tamer redirects high-speed flow so you don't have to fight it to steer where you want to go, and the stock tabs are readily trimmed at your lowest transom setting to keep you straight as intended at low speeds.

Choose a hi-performance weld-on one (#409-100000) or a rivet-on one (#409-200000).



YES, WE HAVE IT! CLICK OR CALL TODAY



WAVIAN WATER CAN

•5 Gallon (22 Liter)
\$49.97 # 320-800100



WAVIAN FUEL CAN

•The original NATO Steel Jerry Can
\$79.99 #320-800000



FASTWAY MAX SECURITY UNIVERSAL COUPLER LOCK

•Flash 8" Drop, 2" Shank
•Built-In Locks
•2" & 2 5/16" Stainless Balls
\$44.50
304-100000



FASTWAY ONESTEP WHEEL CHOCK

•For Tandem Axle Trailers and RVs
•16" to 24"
\$44.54
304-100001



MERCURY® LIGHTWEIGHT RACE COWLING

•Fits 2.0L, 2.4L & 2.5L Mercury® blocks
•Includes Cowling, Lower pan, and stainless steel bottom plate.
•Does NOT include skirt.
408-100000



FLASH ADJUSTABLE DUAL LOCKING ALUMINUM BM STAINLESS BALLS

•2" & 2 5/16" Stainless Balls
4" Drop, 2" Shank..... \$259.95# 304-000000
6" Drop, 2.5" Shank.. \$289.95# 304-000001
6" Drop, 2" Shank..... \$259.95# 304-000003
8" Drop, 2" Shank..... \$269.95# 304-000002

COMPLETE WATER PUMP KITS

And service kits for Mariner, Mercury®, Yamaha, and Evinrude & Johnson - Call today.



EASY-STEER CABLE GREASE NUT

•Seals out water and corrosion •Fits all models and sizes of outboard motors •Anodized
•Lifetime warranty #322-100000

LUCAS SAE 75W-90 M8 MARINE GEAR OIL

•Fortified with anti-foaming agents to prevent cavitation at high RPM's
•Safely blends with other gear oils/additives
•Protects against rust and moisture during long periods of storage
Quart # 120-301006



LUCAS SYNTHETIC BLEND 2-CYCLE OIL

•Minimizes spark plug fouling
•Fortified with unique Lucas additives
•Specifically formulated for water cooled 2-cycle outboards and personal watercrafts
Gallon # 120-301004
Quart # 120-301005



JACK PLATE FLUID

•Lucas ISO 32 weight hydraulic fluid developed specifically for the Bob's Machine jack plate pumps.
•A completely empty system with standard hoses will use about 1.5 qts
Quart # 120-301003



McGard

TRAILER LOCKS

Security and Great Looks. McGard wheel locks & lug nuts for boat trailers #302-xxxxxx



STERN DRIVE LOCKS

Theft protection for Mercruiser, Cobra, Yamaha, or Volvo Stern Drives. Simply replace one of the stern drive mounting nuts or Volvo bolt with a McGard lock.

OUTBOARD MOTOR LOCKS

Theft protection for outboard motors. Lock the bolt that holds the outboard motor onto the transom. Replace one of the mounting nuts with a McGard locking nut.



PROPELLER LOCKS

Theft protection during use, storage, and transit. Featuring the same patented design as our stern drive and outboard motor locks.



813.247.7040

33

TERMS AND CONDITIONS OF SALES

OFFICE HOURS:

We are open from 8:00 a.m. to 5:00 p.m.
Eastern Standard Time, Monday thru Friday.

TERMS: We accept most major credit cards, C.O.D. orders, as well as business checks for product plus freight. Shipping weights may vary due to dimensional shipping charges.

BAD CHECKS: There will be a \$30.00 charge for all checks returned to us unpaid by your bank. F.O.B.: All prices are net and f.o.b.

DELIVERY: Every attempt is made to ship all orders the same day they are received. Warehouse staff shall have the right to ship the fastest cheapest method possible. Unless otherwise noted UPS will be used within weight restrictions. Truck items over 150lbs. Single carton.

C.O.D. REFUSALS: \$5.00 charge, plus freight both ways, will be charged. Future service denied until these charges are cleared.

CLAIMS: According to the F.T.C. Title to merchandise passes to customer when shipper turns it over to common carrier. Any loss or damage in transit is the sole responsibility of the carrier. Make sure freight agent notes any shortage immediately and request inspection. We are more than willing to assist you in your claim, however, we are not responsible for collection of claims or replacement goods.

RETURNS: No returns accepted without prior consent. Merchandise must be shipped prepaid to RSM International, Inc., Inc. Returns made for reasons other than defective merchandise or RSM International, Inc., Inc. error will be charged a 15% handling charge.

NOTICE TO PURCHASER: The following is made in lieu of all warranties, expressed or implied. User shall determine the suitability of the product for his intended use and user assumes all risk and liability in connection therein. In no event shall RSM International, Inc., Inc. be responsible for damages or injury from any source whatsoever.

FOREIGN SHIPMENTS: Contact us for special shipping requirements. Prepayment is required. PRICES: Subject to change without notice and those in effect at date of shipment will apply.



TERMS AND CONDITIONS OF SALES

WARRANTY

RSM International, Inc., manufacturer, agrees to repair or replace any product or part thereof, of its manufacture when necessary as a result of defects in workmanship or material arising within one year from the date of purchase (6 months where noted with * unless otherwise noted). This applies only to the original purchaser and must be returned to the manufacturer prepaid, accompanied by the invoice or purchase ticket. This warranty shall not apply to any product or component thereof which has been repaired or altered outside the factory in any way so as, in the manufacturer's judgment, to affect its stability or reliability nor due to misuse, negligence or accident, nor shall the warranty apply to any product or manufacturer's printed instructions. In no event will RSM International, Inc., Inc. be liable for any incidental or consequential damages. This applies only to the replacement or repair of products manufactured by RSM International, Inc., Inc., and not to any replacement labor or expenses. All warranties are void on the following applications, conditions and installations: (1) Commercial Boats; (2) Competition Boats; (3) Improper installations; (4) Engine horse power exceeds the U.S. Coast Guard maximum horse power rating for the boat.

TECHNICAL SUPPORT DISCLAIMER

By using our web site, its information and any response to e mail questions you hereby agree to the terms of this site and any changes made to this disclaimer at any time. By entering this site, you hold this site and its affiliates not legally responsible for any damages due to advice given here, via e mail or via verbal response. This site and its affiliates takes no responsibility for consequences of any actions that arise from advice given. Any technical information provided is for the personal non-commercial

use and is for educational purposes only. It is not intended to be a representation or guarantee of any kind regarding any specific outboard or marine diagnosis or repair. Users of the technical information in this website will rely upon one's own independent analysis in making a diagnosis, modification or repair.

Any opinion is given with information provided by you and cannot be taken as absolute. All repairs and or modifications should be undertaken by a competent and qualified technician.

By using this site, you understand and agree that all advice given and followed are at your own risk and do not hold this site or its affiliates responsible for any damages. You further agree and acknowledge that your use is at your own risk and that none of the parties involved in creating, producing, or delivering this site, replying via e mail or via verbal response is liable for any direct, incidental, consequential, indirect, or punitive damages, or any other losses, costs, or expenses or any kind (including legal fees, expert fees, or other disbursements) which may arise, directly or indirectly, through the access to, use of, or browsing of this site or through your downloading of any materials, data, text, images, video or audio from this site.

NOTE: Purchaser is not considered to be a "consumer" under the Magnuson-Moss Warranty Act, but shall be considered a merchant engaged in commerce.





Bob's Machine

Quality Creates Its Own Demand

Race
•
Fish
•
Play



**The Controls, Components
and Kits to Get You
Up and Out Quicker.**



BobsMachine.com • 813.247.7040 • Fax 813.247.7041

Info@BobsMachine.com • 8802 E. Braodway Ave, Tampa, FL 33619 USA